

# DIFFERENTIAL PRESSURE SWITCH EXPLOSION PROOF TYPE

## DPS2200X

**Explosion Proof Type**  
**Protection: IP68**  
**Proof Pressure to 750psi**  
**Adjustable Ranges: 400~10000 mmH<sub>2</sub>O**  
**Temperature: -30 to 205°C**

The New-Flow DPS2200X, an explosion proof differential pressure switch, is designed to be used in control systems. DPS2200X has high set point repeatability and narrow dead band features. A variety of range selections are available upon request. Easily adjusted to the set point, no special tools needed!

### Technical Data

**Switch Data:** one SPDT & two SPDT Microswitch, 15amps 125/250VAC, DC 125V 0.4A, DC 30V 3A, / Gold Contact Microswitch 1A 125/250VAC, / Hermetically Sealed Switch 5A/250VAC  
**Housing:** die cast aluminum alloy with paint, and SS316 available  
**Conduit Connection:** Female 3/4", 1/2"NPT, M20 x P1.5 available  
**Pressure Element:** welded type diaphragm  
**Process Materials:** wetted parts are all in SS316+Titanium  
**Process Connection:** with adaptor 1/2" or 1/4" NPT, BSP, PT Female; and M20 x P1.5 thread available

### Range Selection Table

Code	Adjustable Range	Dead Band	Maximum Pressure Proof
10R	400~1900 mmH <sub>2</sub> O	30~80 mmH <sub>2</sub> O	750 psi
20R	1000~10000 mmH <sub>2</sub> O	70~200 mmH <sub>2</sub> O	750 psi



### Approvals:

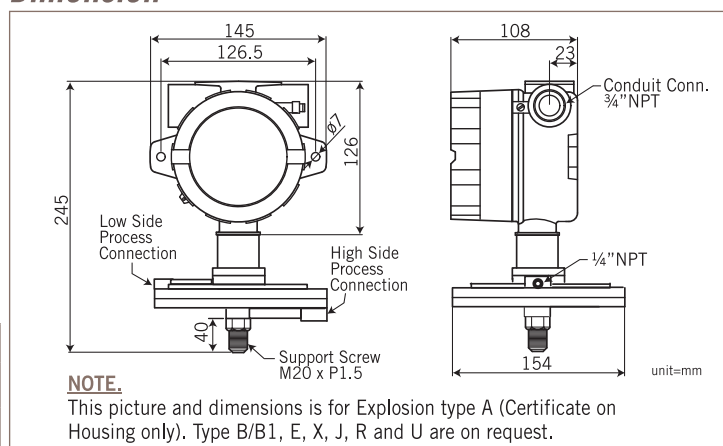


Switches with UL & CSA Recognized and File No. E12252.

### Patent No.

M450724  
China: 2976852

### Dimension



### Ordering Information

DPS2200X	Code	Range	Code	Wetted Parts Material	Code	Process Connection (with adaptor)- Female	Code	Conduit Connection	Code	Switch Form	Code	Explosion Proof Type / Housing Material
	10R	400~1900 mmH <sub>2</sub> O	20R	1000~10000 mmH <sub>2</sub> O	A	SS316+Titanium	(1) 1/2"NPT (2) 1/4"NPT (3) 1/2"BSP (4) 1/4"BSP (5) 1/2"PT (6) 1/4"PT (7) M20 x P1.5	(E) 3/4"NPT Female, standard (F) 1/2"NPT Female (G) M20 x P1.5 Female	1	Micro Switch, 1 SPDT	2	Micro Switch, 2 SPDT (one setting point)
									3a	Gold Contact, 1 SPDT	3b	Gold Contact, 2 SPDT (one setting point)
									4a	Hermetically Switch, 1 SPDT	4b	Hermetically Switch, 2 SPDT (one setting point)
											A	<b>Certificate on Housing Only (FM Approval) / Aluminum alloy:</b> Class I, Groups A, B, C & D; Class II, Groups E, F & G; Class III; NEMA 4X
											B / B1	<b>Taiwan Explosion Proof Certification / (B) Aluminum alloy (B1) SS316:</b> Ex d IIB + H2 T6 Gb
											E	<b>International IECEx Certification / Aluminum alloy:</b> Ex db IIB + H2 T6 Gb; Ex tb IIIC T85°C Db
											X	<b>Europe Union ATEX Certification / Aluminum alloy:</b> II 2 G D Ex db IIB + H2 T6 Gb; II 2 G D Ex tb IIIC T85°C Db
											U	<b>UL Certification / Aluminum alloy:</b> Class I, Division 1, Groups A, B, C & D; Class II, Division 1, Groups E, F & G
											G	<b>China Explosion Proof Certification / Aluminum alloy:</b> Ex d IIB + H2 T6 Gb; Ex tD A21 IP6X T85°C

DPS2200X [ ] [ ] [ ] [ ] [ ] [ ] Complete Ordering Code