

HORIZONTAL MAGNETIC LEVEL SWITCH EXPLOSION PROOF LXT207



LXT207 float-operated with test device level switches are suitable for controlling liquid level at horizontal mounting. The float equipped with an extended arm moves a couple magnetic mechanism to actuate a micro-switch to offer an ON-OFF contact for application.

Technical Data

- Enclosure Housing:** Explosion proof; IP68
- Process Connection:** 1½"~6" Flange type or Thread type
- Flange Rating:** JIS, ANSI, DIN available
- Thread Rating:** NPT, option available
- Material:** Wetted parts & Housing are in 316 stainless steel
- Temperature Limits:**
 - 20°C~+150°C: LXT-207-1, LXT-207-3, LXT-207-5
 - 20°C~+200°C or -20°C~+350°C: LXT-207-2, LXT-207-4
- Pressure Limits:** 3.0 MPa (30 kg/cm²), option: up to 4.5 MPa
- Switch Function:** Micro switch 1 x SPDT or 2 x SPDT available
- Switch Rating:** 3A/250VAC, 5A/125VAC, 4A/30VDC
- Conduit Connection Size:** ½"NPT female, option available
- Float Working Specific Gravity:** ≥0.7 (option: less than 0.7 available on request)

Approvals:

TD0400TJ
工電(2015)第0091號

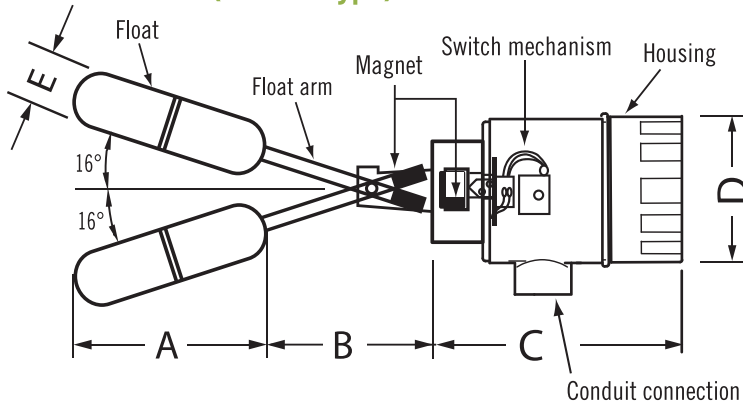
Switches with UL & CSA Recognized and File No. E41515.

Patent No.

M334951

Dimensions- mm

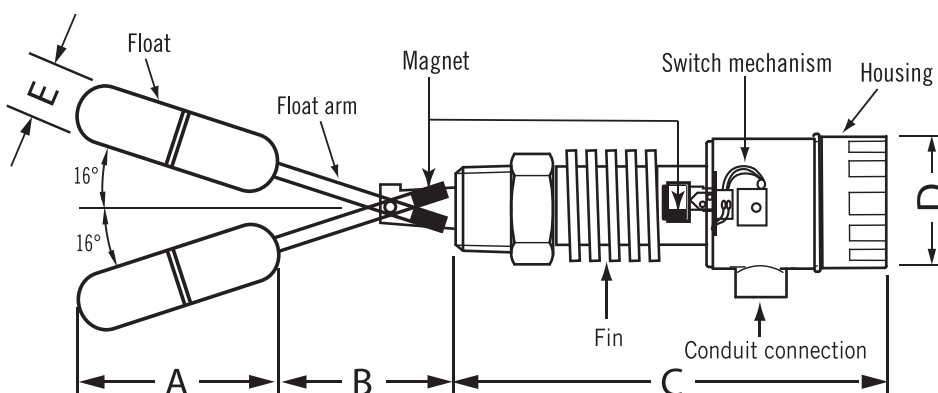
Model: LXT207-1 (Thread Type)



	A	B	C	D	E
mm	150	92	115	64	40

NOTE.
1. Special dimensions on request.
2. Extension length for B is available.

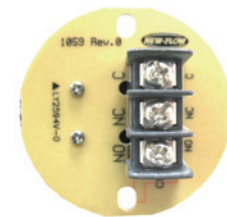
Model: LXT207-2 (Thread Type c/w Fin)



	A	B	C	D	E
mm	150	92	185 Approx.	64	40

NOTE.
1. Special dimensions on request.
2. Extension length for B is available.

Wire Drawing



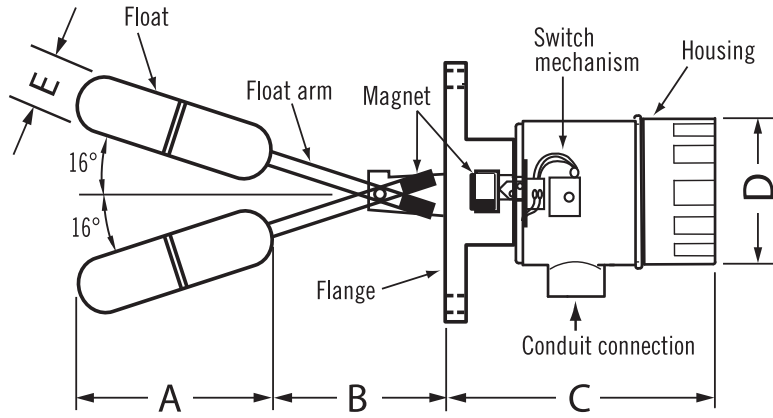
1 SPDT



2 SPDT

Dimensions- mm

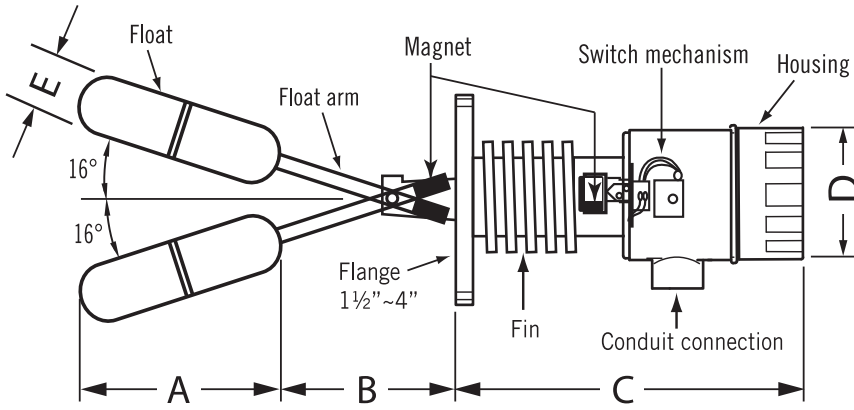
Model: LXT207-3 (Flange Type)



A	B	C	D	E
150	92	115 Approx.	64	40

NOTE.
 1. Special dimensions on request.
 2. Extension length for B is available.

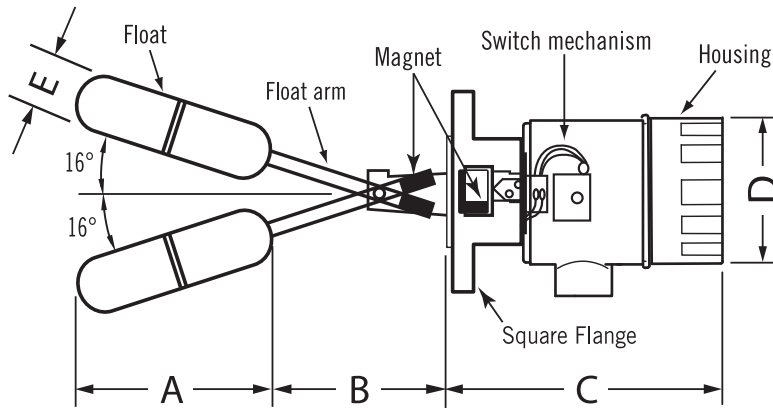
Model: LXT207-4 (Flange Type c/w Fin)



A	B	C	D	E
150	92	185 Approx.	64	40

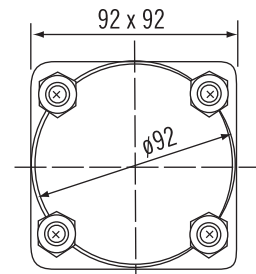
NOTE.
 1. Special dimensions on request.
 2. Extension length for B is available.

Model: LXT207-5 (Square Flange Type)



A	B	C	D	E
150	92	115 Approx.	64	40

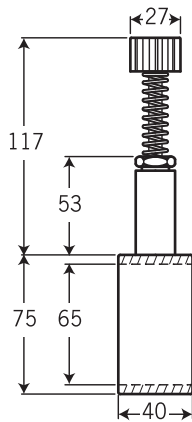
NOTE.
 1. Special dimensions on request.
 2. Extension length for B is available.



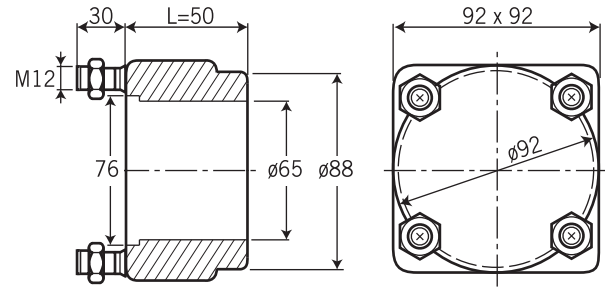
Square Flange

Added Device Accessories – only for LXT207-5 (Square Flange Type)

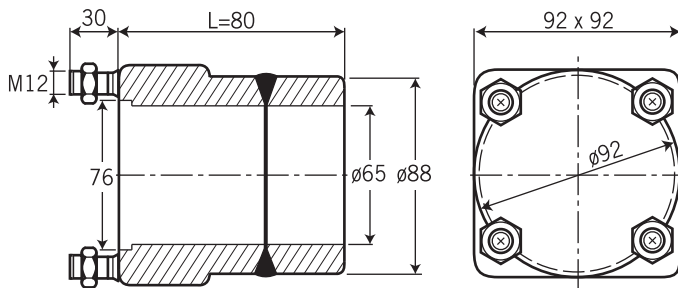
(A) Pipe With Standard Test Device



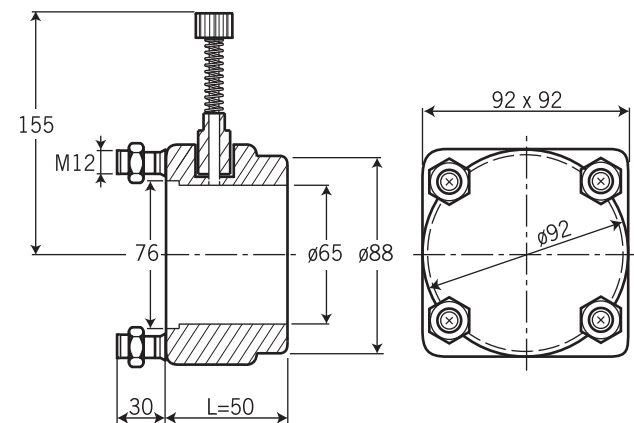
(B) Added Flange Device



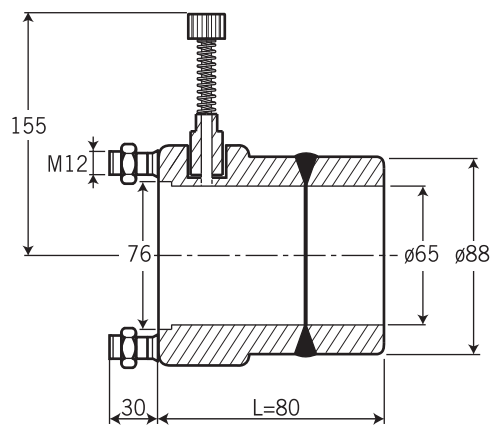
(C) Added Flange Device



(D) Added Flange With Test Device



(E) Added Flange With Test Device



unit=mm
(Tolerance: ±1.0mm)

